

TOTAL EXCAVATION = 1.8m³

PAVEMENT AREA = YORK STONE PAVING SLABS

UNKNOWN GROUND MAKEUP

TOTAL REINSTATEMENT = 3.6m²

PAVEMENT YORK STONE PAVING SLABS = 3.6m²

EXISTING SLABS TO BE REUSED - ANY BROKEN SLABS TO BE REPLACED

KEY:

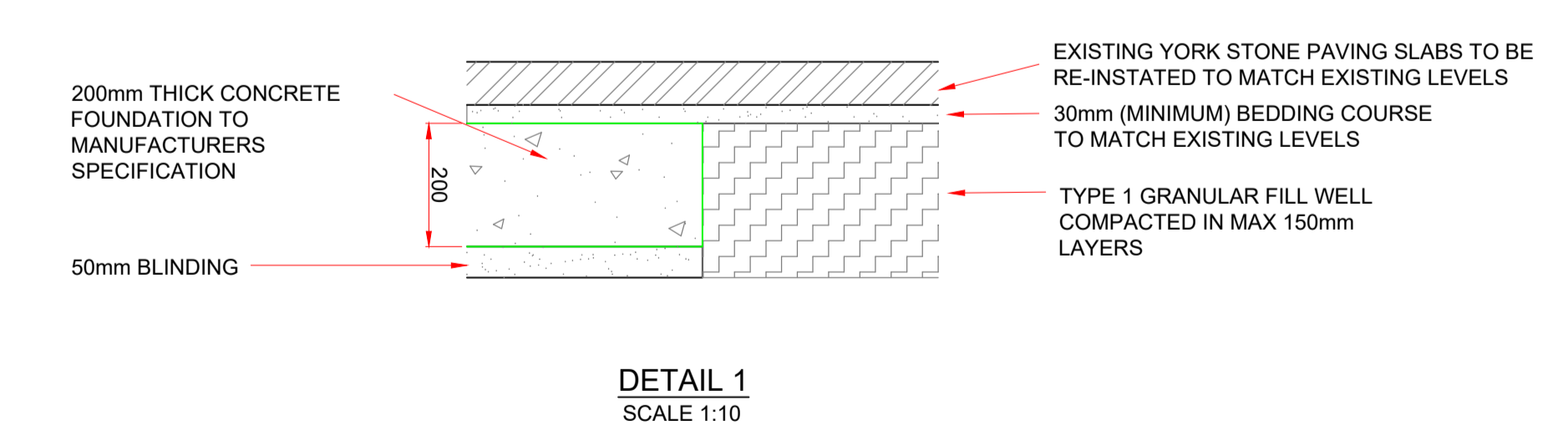
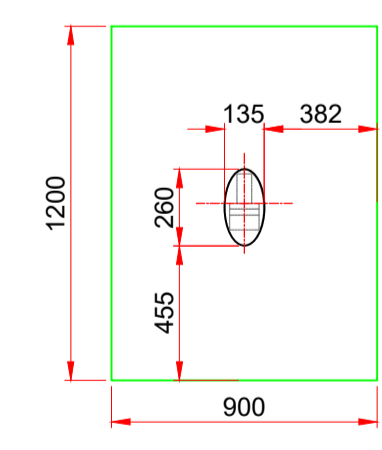
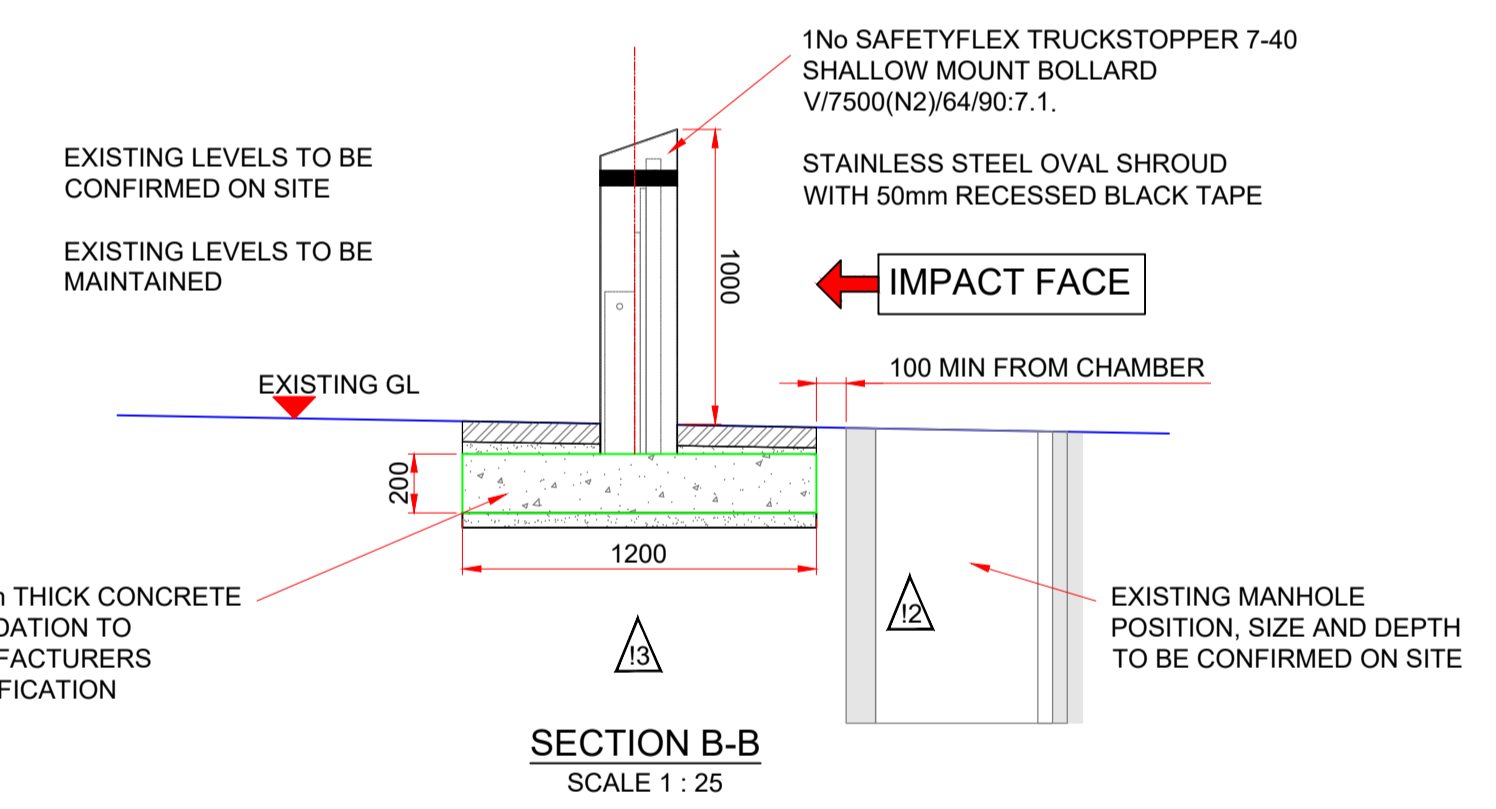
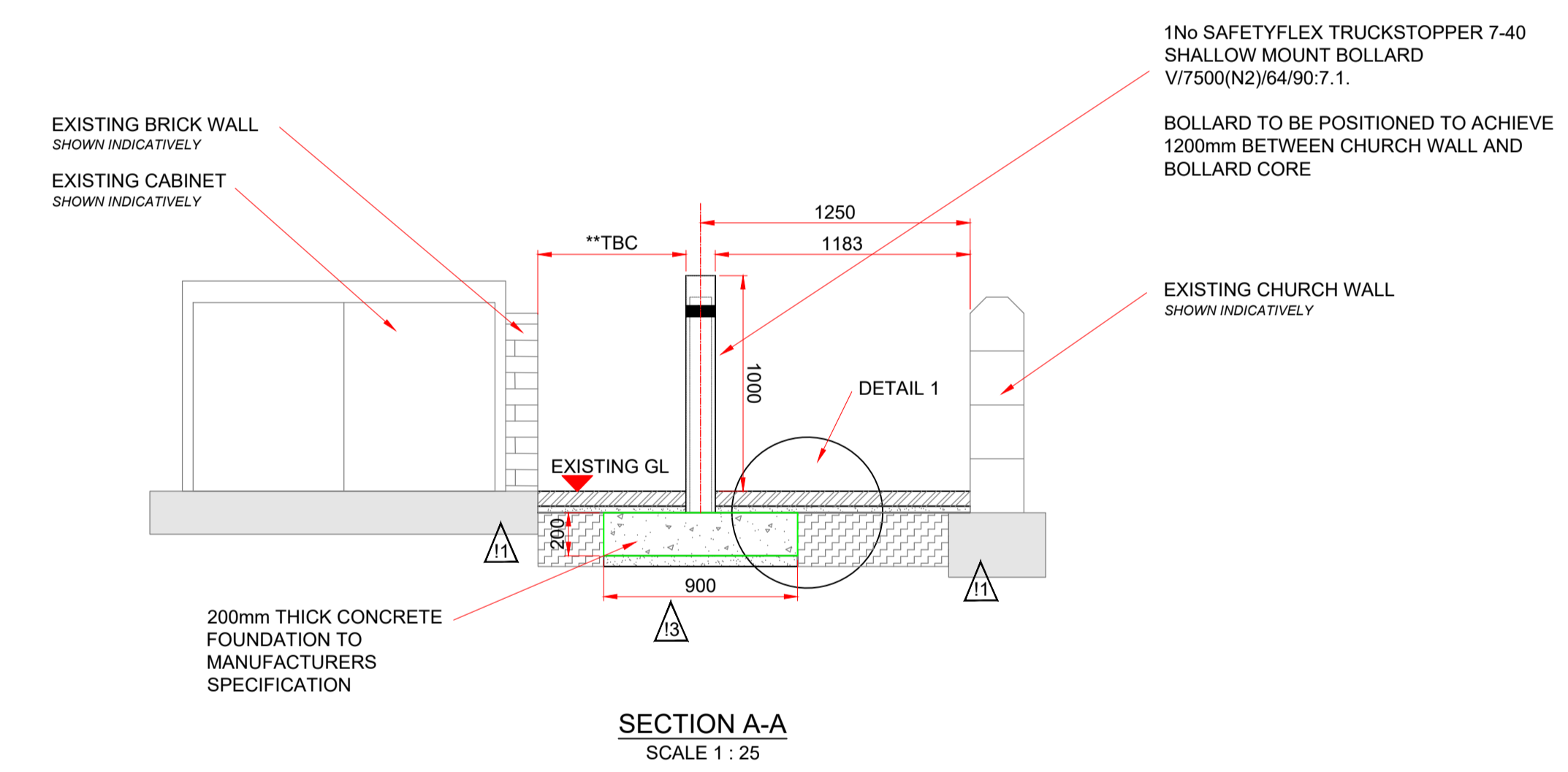
PAVEMENT - YORK STONE PAVING SLABS

TO BE READ IN CONJUNCTION WITH:

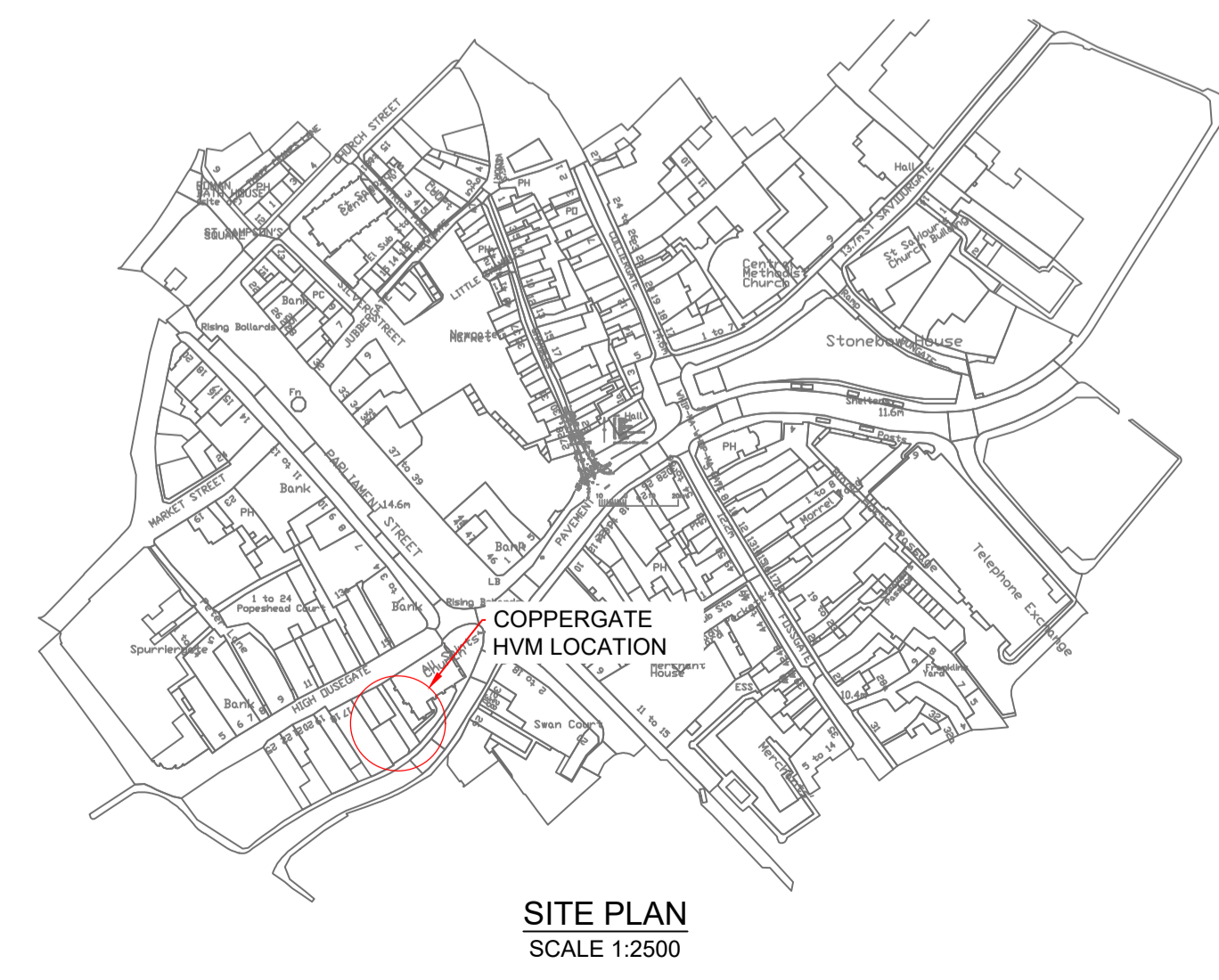
DWG No. 1367-SY-GA-271

PLEASE NOTE:

DIMENSIONS PROVIDED ARE THE CLEAR DISTANCES BETWEEN BOLLARD SHROUD AND EXISTING WALLS



- IDENTIFIED HAZARDS**
- EXCAVATION AREA IS ADJACENT TO EXISTING CHURCH WALLS AND CABINET. FOUNDATION DETAILS UNKNOWN. CARE TO BE TAKEN DURING WORKS TO ENSURE NO DAMAGE TO EXISTING STRUCTURES
 - EXCAVATION AREA IS ADJACENT TO 1No MANHOLE. CARE TO BE TAKEN DURING WORKS TO ENSURE NO DAMAGE TO EXISTING UTILITIES STRUCTURES
 - C2 UTILITY INFORMATION PROVIDED ON DWG 1367-SY-GA-271. NO GPRS OR TRIAL HOLE INFORMATION AT THIS LOCATION. TYPE AND LOCATION OF UTILITIES IN CONSTRUCTION ZONE TO BE DETERMINED AND REPORTED TO DESIGN ENGINEER PRIOR TO ANY WORKS BEING UNDERTAKEN



- NOTES**
- GENERAL**
- DO NOT SCALE FROM THIS DRAWING.
 - ANY QUERIES ARE TO BE REFERRED BACK TO THE ENGINEER FOR CLARIFICATION.
- CONCRETE**
- ALL CONCRETE IN ACCORDANCE WITH BS 8500.
 - CONCRETE DESIGNATED MIX: AS PER BOLLARD MANUFACTURERS SPECIFICATION. NO ADMIXTURE IS TO BE USED WITHOUT THE ENGINEERS PERMISSION.
 - SHOULD THE AIR TEMPERATURE RISE ABOVE 30°C OR FALL BELOW 5°C, SPECIAL PRECAUTIONS ARE TO BE TAKEN, ALL TO ENGINEER'S APPROVAL.
 - ANY SOFT SPOTS WITHIN THE GROUND REMOVED AND BACKFILLED WITH TYPE 1 FILL MATERIAL. PRIOR TO PLACING OF BLINDING CONCRETE. FILL MATERIAL WELL COMPACTED IN 300mm LAYERS.
 - CURING TO BE DONE FOR AT LEAST 7 DAYS PRIOR TO ANY LOADING BEING APPLIED TO THE FOUNDATION.
 - REINFORCEMENT BARS TO BE HIGH YIELD STEEL TO CURRENT BS 4449, FABRIC REINFORCEMENT TO BS 4483.
 - REINFORCEMENT SCHEDULING TO BS 8666.
 - REINFORCEMENT AS PER BOLLARD MANUFACTURERS SPECIFICATION.
 - REINFORCEMENT LAP LENGTHS ARE TO BE A MINIMUM OF 72 D UNLESS OTHERWISE NOTED.
 - ALL MATERIAL AND WORKMANSHIP IN ACCORDANCE WITH RECOMMENDATIONS OF BS 8110.
- BOLLARDS**
- PRODUCTS TO BE INSTALLED IN ACCORDANCE WITH MANUFACTURERS GUIDELINES AND REQUIREMENTS.
 - FOUNDATIONS PROVIDED IN ACCORDANCE WITH MANUFACTURERS RECOMMENDATIONS.
 - ALL BOLLARD PRODUCTS TO BE SUCCESSFULLY IMPACT TESTED TO PAS 68 / IWA 14
 - THE GAP BETWEEN BOLLARD CORES SHALL BE NO MORE THAN 1200mm AT 600mm ABOVE FINISHED GROUND LEVEL.
 - SHROUD MATERIAL: STAINLESS STEEL
 - SHROUD FINISH TO BE AGREED WITH THE CLIENT
 - SHROUD TO HAVE 50mm REFLECTIVE BAND

A	01.06.22	TENDER ISSUE	MJH	SLP	
REV	DATE	DESCRIPTION	BY	CHKD	APVD

CONTRACT NAME:

CITY OF YORK COUNCIL

CLIENT:

CITY OF YORK COUNCIL

D.J. Goode & Associates Ltd.
 Consulting Civil Engineers.
 The Old Control Tower,
 Lavenham Airfield,
 Old Bury Road,
 Alpheton,
 Sudbury, Suffolk,
 CO10 9BT.

Tel: 01284 827472
 Email: p1@djgoode.co.uk

© D.J. Goode & Associates Ltd. 2020



DRAWN BY:	DATE:	CHECKED BY:	DATE:	APPROVED BY:	DATE:
MJH	08.04.22	SLP	19.04.22		
SIGNED:		SIGNED:		SIGNED:	

DRAWING TITLE:

COPPERGATE HVM SCHEME
 PROPOSED LAYOUT, SECTIONS & DETAILS AND
 EXCAVATION AND REINSTATEMENT PLAN

SCALE:	DRAWING STATUS:	PROTECTIVE MARKING:
1:50 @ A1	TENDER	
DRAWING NUMBER:		REV:
1367-SY-GA-270		A